


Chameleon Accordion Doors

Sound Dividers 	Model	STC	Finishes	Per Door Max Opening		Stack Depth*2	Lead Post	Stack Width	Open Width	Hanging Weight*3
				Width*1	Height					
	VL-8	40	Vinyl, Carpet	25' [7620]	16' [4877]	2.6" [217]	2.5" [64]	10" [254]	6" [152]	3.65 [18.1]
	VL-6	38	Vinyl, Carpet	25' [7620]	16' [4877]	2.0" [167]	2.5" [64]	9.5" [241]	5" [127]	3.15 [15.6]
	VL-2	35	Vinyl, Carpet	25' [7620]	16' [4877]	2.0" [167]	2.5" [64]	9.5" [241]	5" [127]	2.65 [13.2]

*1 Paired panels double maximum width *2 Per ft of door width plus lead posts *3 lbs per sq ft [kg per sq M]

A True pantograph frames are constructed from 3/16" [5mm] diameter steel rod welded to 14-gauge [2mm], reinforced steel hinge plates for a smooth, even opening and closing action.

B Wheel carriers are heat-treated steel trolleys with nylon covered, ball-bearing wheels for quiet, vibration free operation.

C Chrome finished steel handles provide a sure grip and positive closing action for ease of door movement.

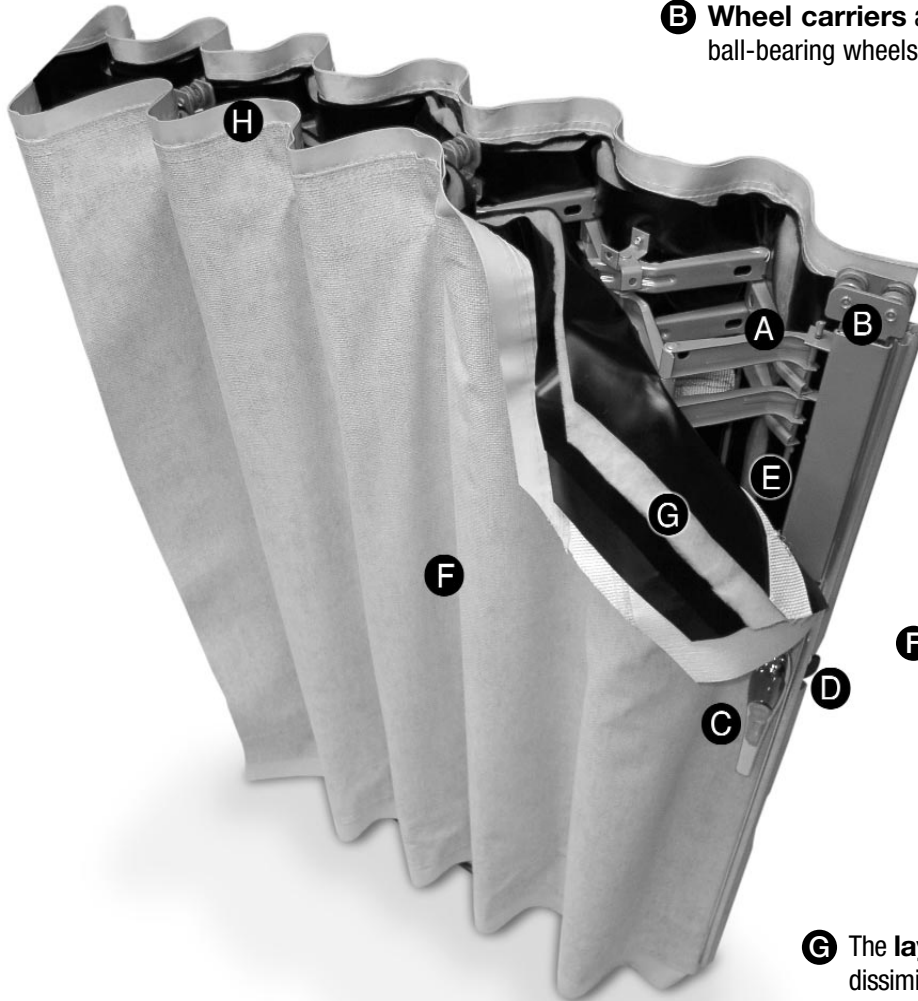
D A strong 1/8" [6mm] thick steel finger latch grabs the receiver and locks the door into the closed position.

E Anchor posts of 14-gauge [2mm], roll formed steel ensure longitudinal rigidity and proper door alignment.

F Seam-free covers have a smooth and seamless appearance. The unique internal mounting design allows the covers to be attached without unsightly horizontal seams or external buttons. Curtition offers a wide range of colors and textures in standard 21-ounce vinyl or optional acoustical carpet.

G The layered design combines two to ten layers of dissimilar materials to achieve the desired acoustical rating.

H Sweep strips mounted on both sides of the doors provide a light and sound barrier at the ceiling and floor.



PART 1 GENERAL

1.1 SCOPE

- 1.1.1 Furnish and install accordion partition and suspension system specified.
- 1.1.2 Provide all tools, equipment and labor necessary to complete the accordion partition installation.

1.2 RELATED WORK BY OTHERS

- 1.2.1 Preparation of opening and surrounding construction.
- 1.2.2 All header, support structure, partition pockets, backing at jambs and wall surface preparation.
- 1.2.3 All adjacent structure sound attenuation work, insulation and fireproofing as required in section 1.4.

1.3 SUBMITTALS

- 1.3.1 Complete shop drawings, indicating location and product construction details. Include plans, elevations, sections, attachment to other construction, and structural support punching templates.
- 1.3.2 Partition covering samples showing full range of colors available.
- 1.3.3 Manufacturer's literature, including product brochures, technical sheets, installation instructions and operation and maintenance instructions as requested.

1.4 QUALITY ASSURANCE

- 1.4.1 Accordion partition acoustical rating shall be verified through testing by qualified independent acoustical testing laboratory in accordance with ASTM E90 and ASTM E413 test procedures.
- 1.4.2 Surface burning rating shall be class A in accordance with ASTM E84.
- 1.4.3 Preparation of the opening shall conform to the criteria set forth per ASTM E557.

1.5 DELIVERY AND STORAGE

- 1.5.1 Product shall be packaged for shipment from manufacturer in custom-fabricated protective wrapping.
- 1.5.2 All shipping containers shall be properly marked externally for content and destination.
- 1.5.3 Contractor shall assume responsibility for delivered product integrity if product is shipped and stored prior to installation. Contractor is responsible for product integrity after wall delivery.
- 1.5.4 Contractor shall insure the area to be used for uncrating and/or staging the accordion partition prior to installation is clean and free of debris.

1.6 WARRANTY

- 1.6.1 Manufacturer's limited warranty guarantees the product to be free from factory originated defects in materials and workmanship for a period of five (5) years from the date of installation.

- 1.6.2 Pantographic frame, wheels, trolleys and track shall be guaranteed against operating failure in the course of normal usage for a period of ten (10) years from the date of installation.

PART 2 PRODUCTS

2.1 ACCEPTABLE MANUFACTURERS

- 2.1.1 Accordion partitions shall be Chameleon Model (select): VL-8, VL-6 or VL-2 manufactured by Curtition.
- 2.1.2 Other manufacturers wishing to bid product similar to Curtition Chameleon Series shall submit data to the architect at least ten (10) days prior to bid opening to support compliance with bid specification.
- 2.1.3 Alternative bidders shall guarantee their product specifications comply with the product specified.

2.2 OPERATION

- 2.2.1 Accordion partitions shall be top supported and moved manually to the closed (latched) position or to the open (stacked) position by pulling or pushing the handle through the range of partition movement. The partition shall be secured in the closed position by the latch mechanism, tiebacks or pocket door, if specified, in the closed position.

2.3 MATERIALS

- 2.3.1 Partition covers shall be fastened to the frame with permanent rivets through concealed nylon webbing, double stitched to the inside surface. Rivets shall not penetrate outer lining and shall not be visible.
- 2.3.2 Sound retardant liners shall be filled polyvinyl sheets. VL-8 to also have 1/2" [13mm] fiberglass blankets.
- 2.3.3 Covers shall have multi-ply rubberized sweep strips of neutral color, top and bottom, both sides, for sound attenuation. Top sweep strips shall be 1/2" [13mm]. Bottom sweep strips shall be (select):
 - (A) 1 1/2" [38mm] (standard)
 - (B) 4" [102mm] for field trimming to compensate for non-level floor conditions.
- 2.3.4 Internal framing shall be 3/16" [5mm]-diameter wire rod, welded to interlocking, collapsible/extendible full channel hinges and shall provide true pantographic motion. Hinges shall be custom formed 14-gauge [2mm] steel plate, welded to frame at top, bottom and intermediate points not to exceed 3'-6" [1067mm] vertical spacing on any partition over 6'-8" [2032mm] in height. Steel spacing chain shall be installed along the frame centerline to control hinge movement.
- 2.3.5 Lead and end posts shall be of minimum 14-gauge [2mm] box-channel steel. The lead post shall be mounted to the leading partition edge and will contain die cast chrome plated latch hardware and rubber acoustical seals. All jambs and posts and shall be wrapped with the same material as the partition covers.

Chameleon Series

Model VL Specifications

2.3.6 Stack dimensions shall be:

	<u>VL-8</u>	<u>VL-6</u>	<u>VL-2</u>
Stack Depth (in./ft. of door)	2.6"	2.0" (add 2.5" for lead post)	2.0"
Stack Width	10"[254mm]	9.5"[241mm]	9.5"[241mm]

2.3.7 Hanging weight shall be:

	<u>VL-8</u>	<u>VL-6</u>	<u>VL-2</u>
lbs./sq. ft.	3.7 [18.1]	3.2 [15.6]	2.7 [13.2]
[kg/sq. m.]			

2.4 FINISHES

2.4.1 Panel face finish shall be factory-applied Class "A" rated material (select):

- (A) Reinforced vinyl fabric with woven backing weighing not less than 21 ounces per yard [653 g/m].
- (B) Carpet of non-woven, 100% Polyester staple fiber with fusible latex backing weighing not less than 23 ounces per yard [715 g/m].
- (C) Customer supplied material (subject to factory approval).

2.5 OPTIONS

2.5.1 Available options shall include:

- (A) Locks: one or both sides.
- (B) Radius construction for curved applications.
- (C) Track switches for alternate storage or multi-location applications.
- (D) Floating posts for latching of multiple partitions in L, T and X configurations.
- (E) Sliding jamb boards for pocket storage.
- (F) Conversion latch.
- (G) Electric operation.

2.6 SUSPENSION SYSTEM

- 2.6.1 Track shall be Curtition #4 architectural grade aluminum extrusion with custom taper design to prevent wheel chatter. Optional aluminum ceiling guard shall be available. Track mounting shall be (select): Surface Mounted or Concealed.
- 2.6.2 Frame shall be supported by 1" [25mm] steel wheels mounted over matched precision bearings, with nylon tires affixed to load rated, heat treated swivel joint carriers.
- 2.6.3 Carriers shall be four-wheel units at the lead post and two-wheel units at every support point, with spacing

of carriers not to exceed 11" [279mm] apart.

2.7 ACOUSTICAL PERFORMANCE

2.7.1 An accredited acoustical testing laboratory (U.S. Commerce, NVLAP) shall have tested laboratory acoustical performance of the partition in accordance with ASTM E90 test standards. Laboratory Sound Transmission Classification (STC) ratings shall be:

	<u>VL-8</u>	<u>VL-6</u>	<u>VL-2</u>
STC	40	38	35

2.7.2 Copies of original test reports shall be made available upon request.

PART 3 EXECUTION

3.1 PREPARATION

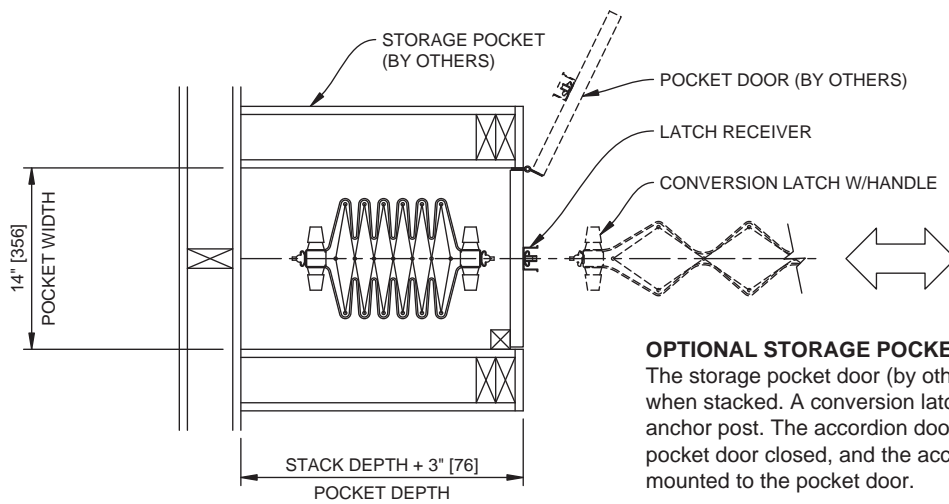
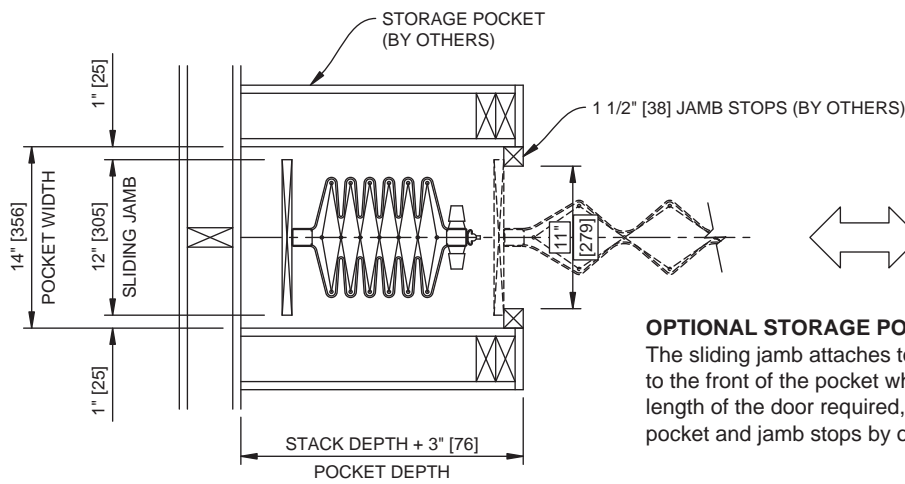
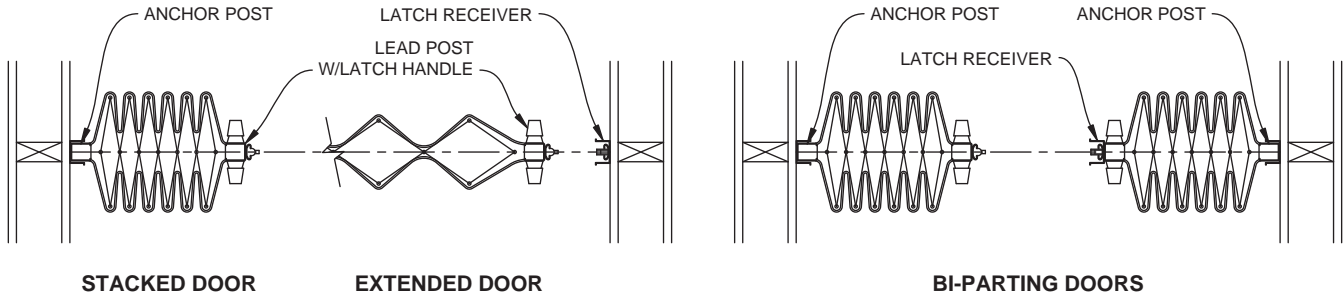
- 3.1.1 Preparation of opening to house accordion partition shall be by others in accordance with architectural plans, manufacturers shop drawings and ASTM E557.
- 3.1.2 Prior to installation, a manufacturer-authorized representative shall inspect the accordion partition. Any discrepancies noted shall be brought to the attention of the site supervisor, architect and manufacturer for remediation.

3.2 INSTALLATION

- 3.2.1 Installation shall be accomplished in strict accordance with approved shop drawings and architectural plans.
- 3.2.2 Installation shall be accomplished by factory authorized representatives in full compliance with manufacturer's written instructions (included with each shipment).
- 3.2.3 General Contractor shall be responsible for on-site product integrity.
- 3.2.4 Installer shall train owner's representatives in proper wall operation and maintenance.
- 3.2.5 Installer shall insure removal and proper disposal of all shipping materials and packaging associated with the accordion partitions from the work site upon completion of the installation.

Chameleon Series

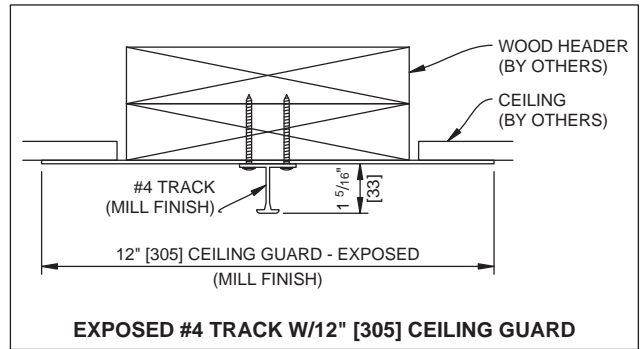
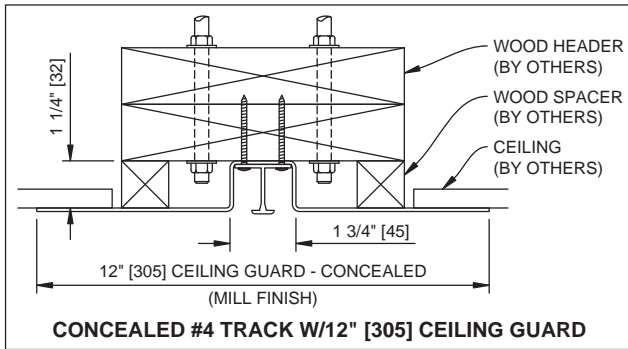
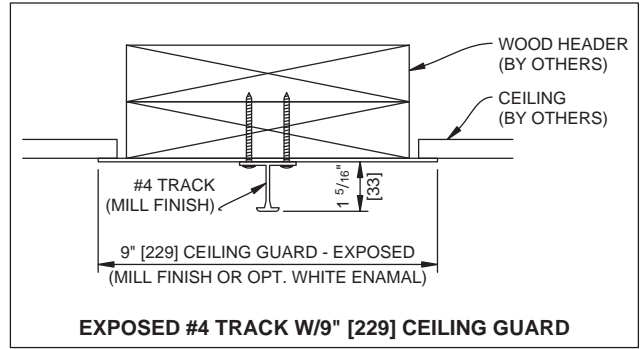
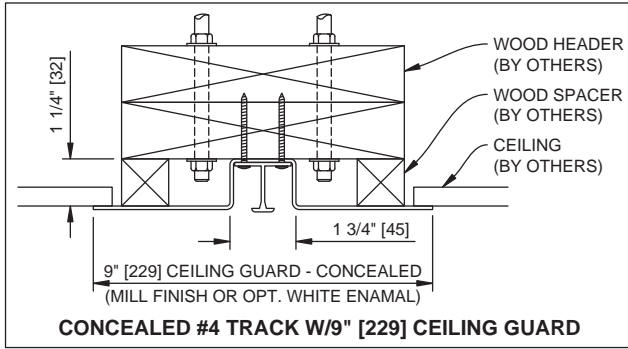
Model VL Stack Layouts



HORIZONTAL SECTIONS

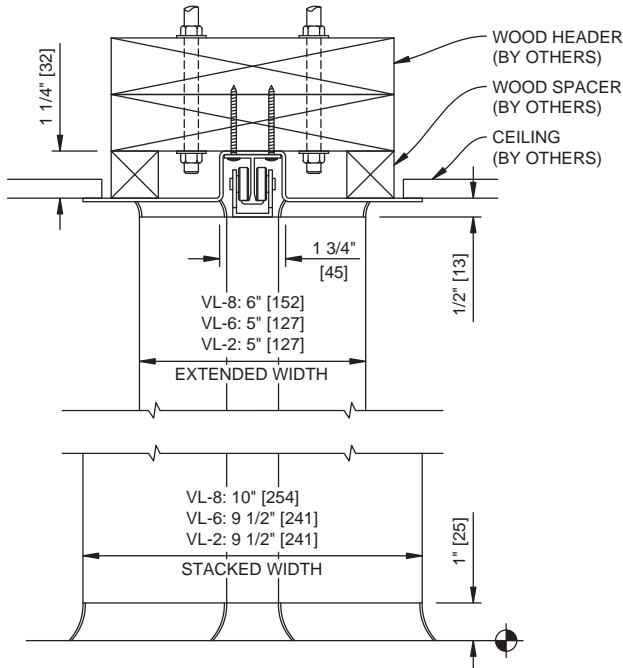
Chameleon Series

Model VL Track Details

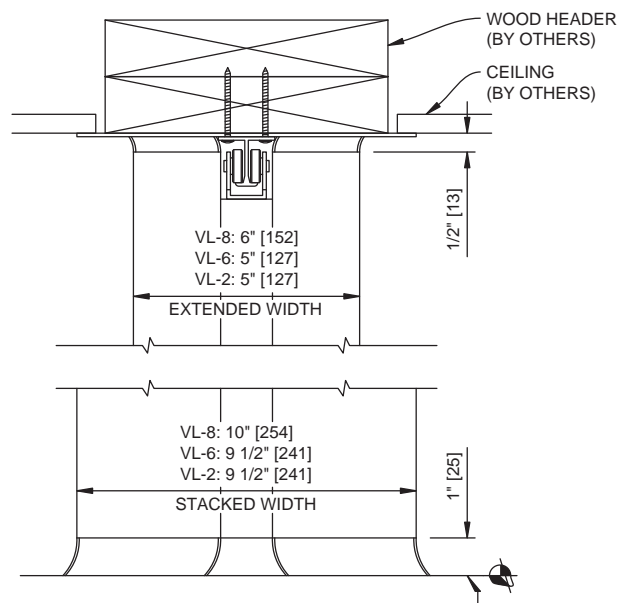


HEAD DETAILS

DOOR SHOWN WITH CONCEALED #4 TRACK AND 9" [229] CEILING GUARD.



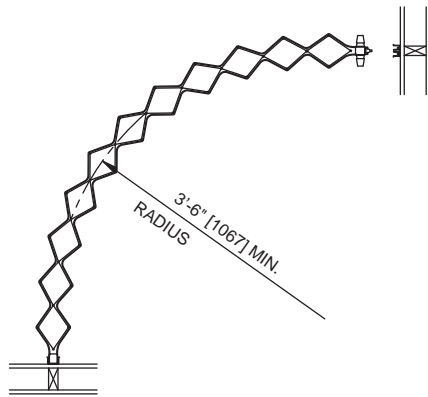
DOOR SHOWN WITH EXPOSED #4 TRACK AND 9" [229] CEILING GUARD.



VERTICAL SECTIONS

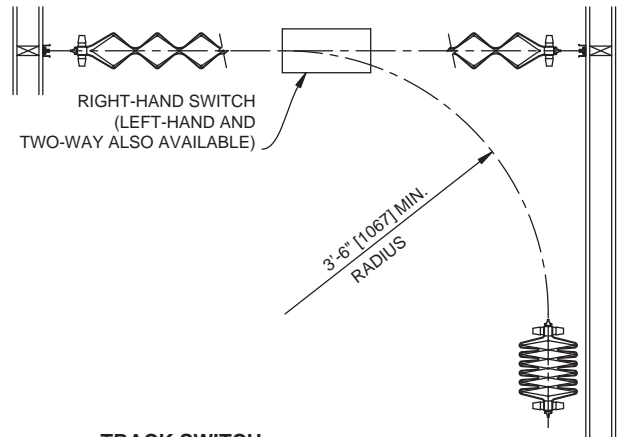
Chameleon Series

Model VL Options



CURVED TRACK/RADIUS CONSTRUCTION

#4 track can be custom made to fit almost any curve of at least 3'-6" [1067] radius. Accordion doors with optional radius construction can follow curves and straight track.



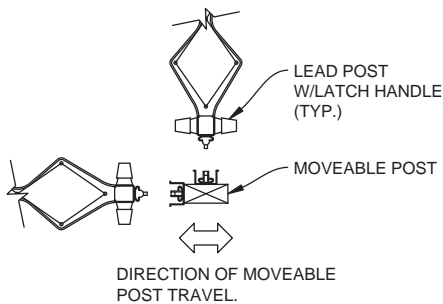
TRACK SWITCH

Accordion doors with radius construction can be stacked in remote locations by using single or two-way track switches.

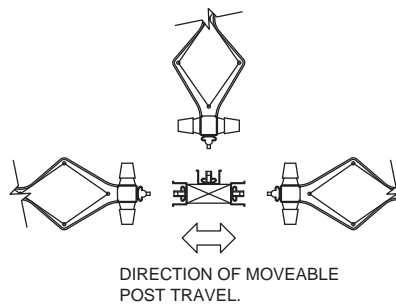
COMBINE CURVES, SWITCHES, RADIUS DOOR CONSTRUCTION AND MOVEABLE POSTS TO CREATE ALMOST ANY LAYOUT.

PLAN VIEW

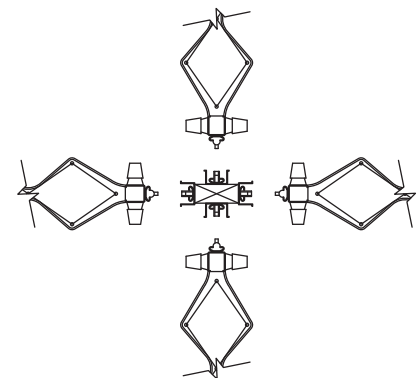
TWO-WAY



THREE-WAY



FOUR-WAY



MOVEABLE MEETING POSTS

Moveable meeting posts allow two, three or four doors to latch together without the need for a permanent post structure.

HORIZONTAL SECTIONS