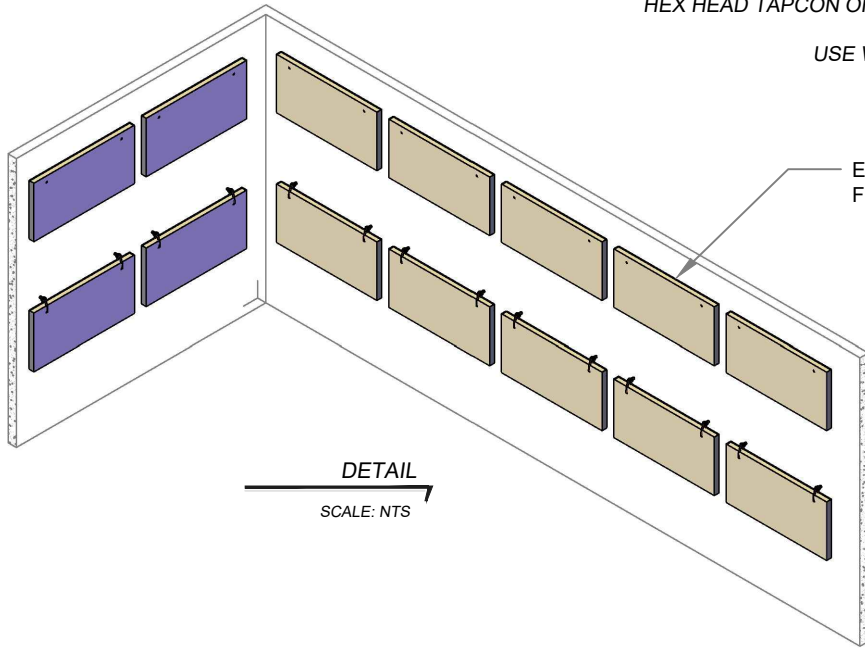


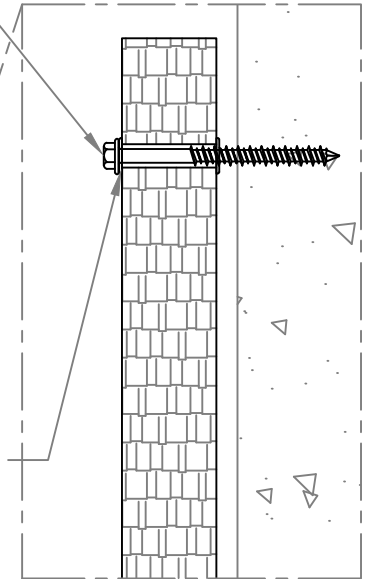
HEX HEAD TAPCON OR OTHER WALL MOUNTED CONCRETE SCREW - BY OTHERS  
NOTE: DO NOT OVER-TIGHTEN OR CRUSH PANEL  
USE WASHER IF HEX HEAD IS SMALLER THAN GROMMET HOLE Ø

ENCAPSULATED ACOUSTICAL WALL PANELS FROM NETWELL

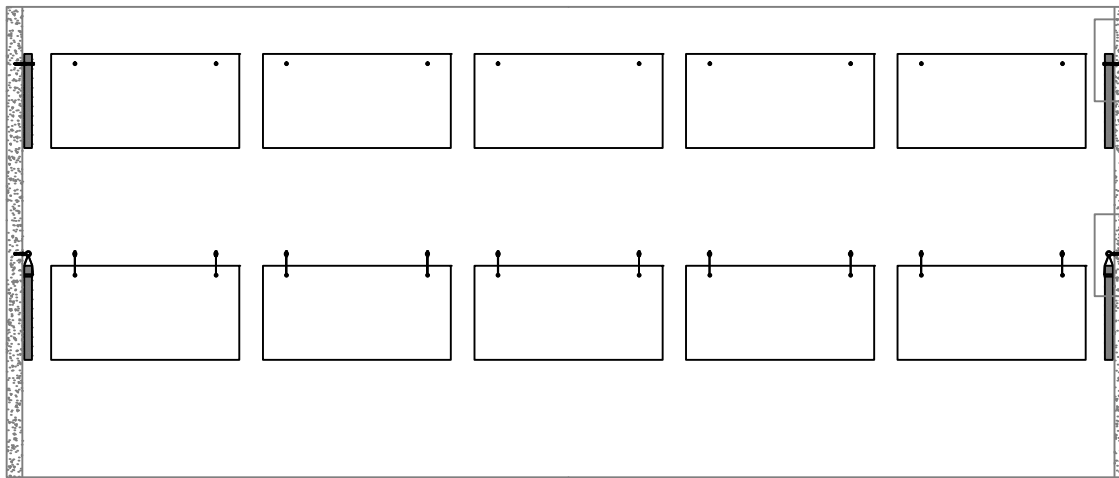


DETAIL  
SCALE: NTS

GROMMET



DETAIL  
SCALE: 3" = 12"



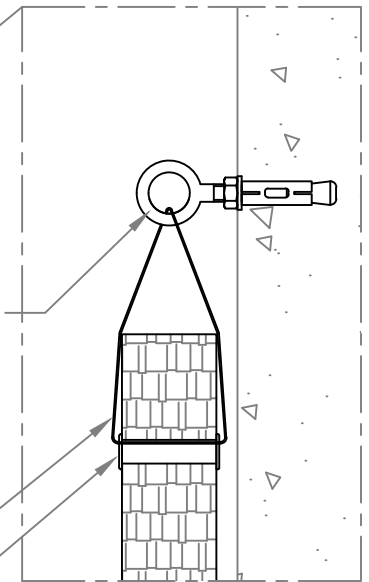
TYPICAL PANEL ELEVATION

SCALE: 1/2" = 12"

WALL MOUNTED  
EYE OR HOOK  
BY OTHERS

12 AWG TIE WIRE  
BY OTHERS

GROMMET



DETAIL  
SCALE: 3" = 12"

ENCAPSULATED ACOUSTICAL PANELS CAN BE MOUNTED TO WALLS, EITHER DIRECTLY (PER TOP ROW) OR BELOW A WALL MOUNTED EYEBOLT OR HOOK (PER BOTTOM ROW)