

### AIRCRAFT CABLE

These installation suggestions consist of a common process for tile installation. Installers should rely upon their own professional experience and understanding of their unique requirements to ensure a successful install.

Confirm your Unistrut installation has been completed. Consult with a professional about a proper Unistrut installation for your ceiling type (concrete vs. sheet-rock).

### Tools Needed



Cable Cutter

### Optional

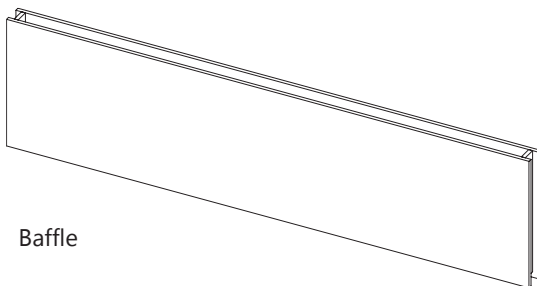


1/16" Aircraft Cable  
(3' per baffle included)

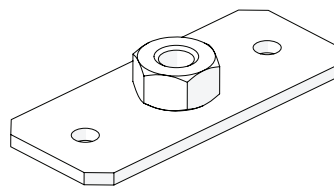
Additional length required, if any,  
will be determined by site needs

Note: Installer to select preferred ceiling hardware.

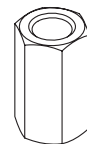
### Items Included



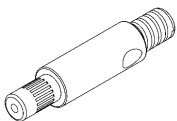
Baffle



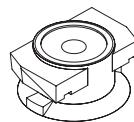
(2) Flat Brackets



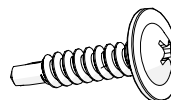
(2) Coupling Nut



(4) Grip locks



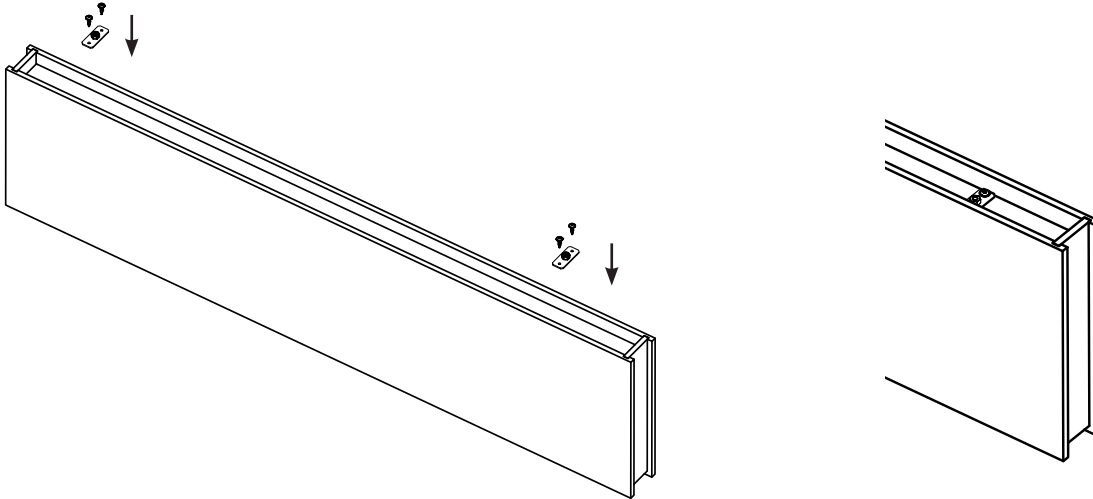
(2) Nylon Cone Nut



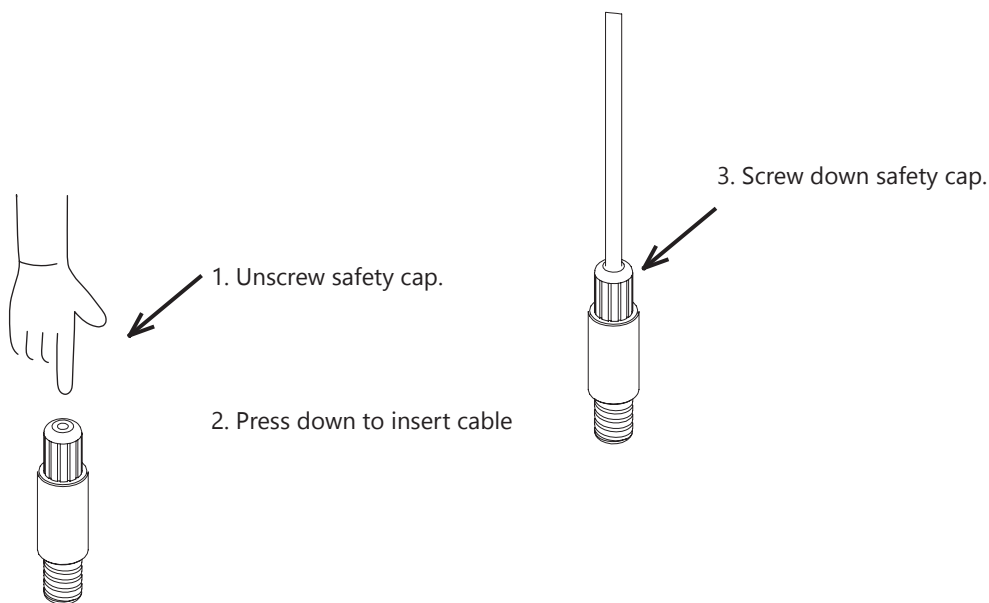
(4) Self-drilling #8 3/4 Screw

AIRCRAFT CABLE

1. Locate where the flat brackets should be placed; to ensure the baffle hangs evenly, be sure to space them at equal distances from each end.

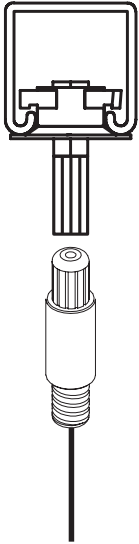


2. Insert and lock the aircraft cable into the grip lock.

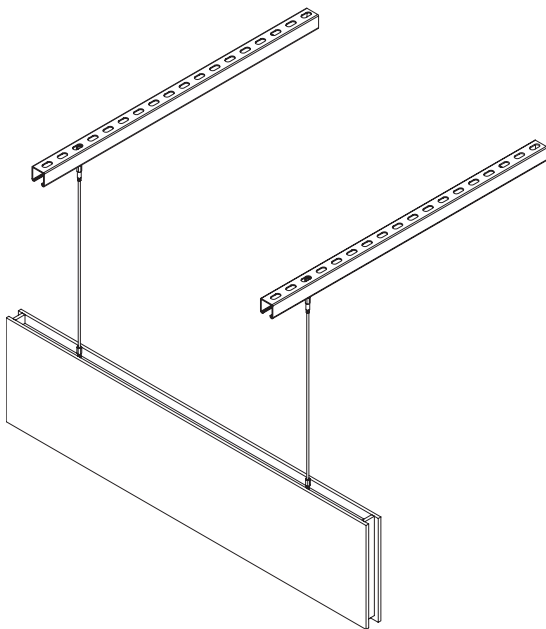


AIRCRAFT CABLE

3. Cut the excess cable using cable cutter.
4. Install threaded rod or aircraft cable from unistrut.



5. Final View



THREADED ROD

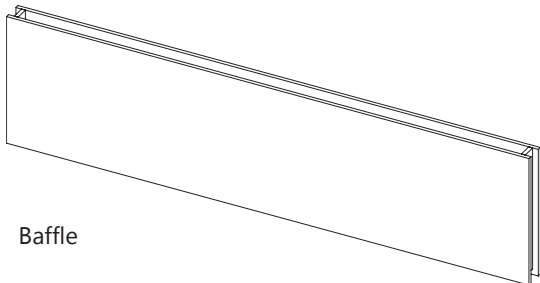
These installation guidelines consist of the common process of using threaded rod to suspend baffles from already installed Unistrut. Installers should rely upon their own professional experience and understanding of their unique requirements to ensure a successful installation.

OPTIONAL TOOLS

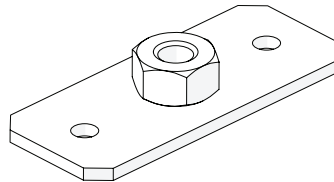


Threaded Rod 1/4-20

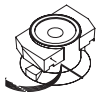
ITEMS INCLUDED



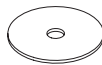
Baffle



(2) Flat Brackets



(2) Nylon Cone Nut



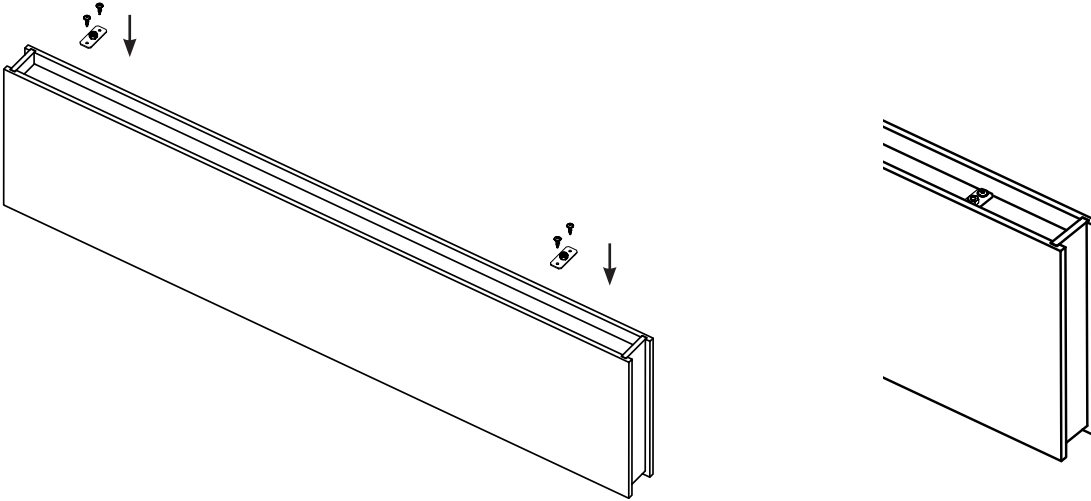
(2) Fender Washer



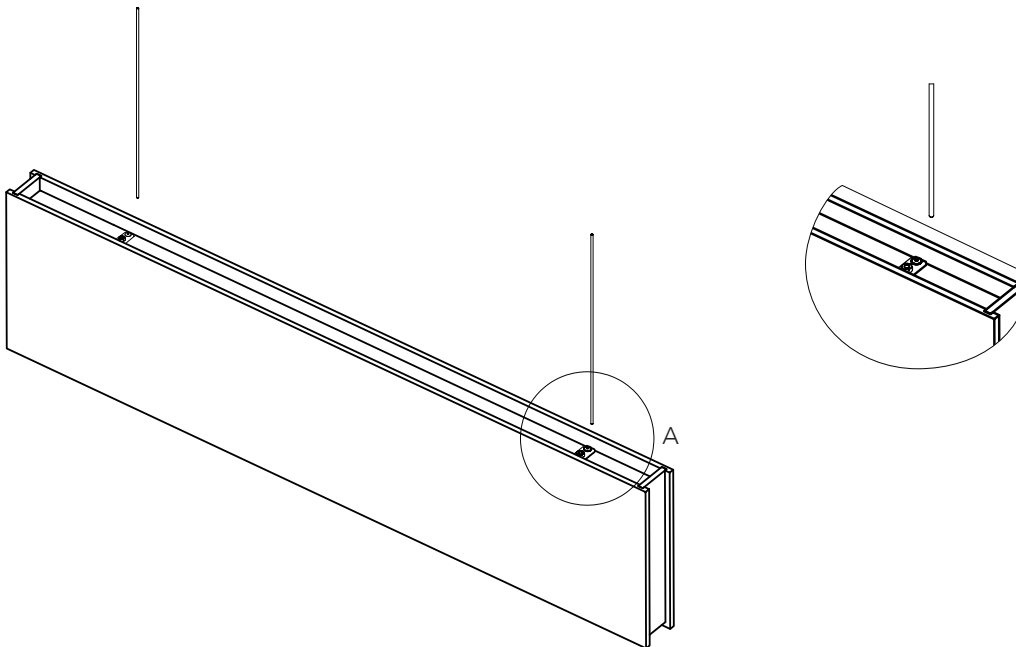
(2) 1/4" - 20 Nut

THREADED ROD

1. Locate where the flat brackets should be placed; to ensure the baffle hangs evenly, be sure to space them at equal distances from each end.





2. Install the threaded rod into the flat bracket.





THREADED ROD

3. Install Threaded Rod in Unistrut.

↑  1. Screw the threaded rod to go inside cone nut

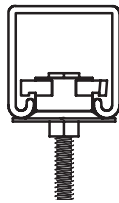
↑  2. Insert the fender washer

↻  3. Screw the nut to the bolt

↻  4. Screw the pre-installed coupling nut to the bolt



Threaded Rod



4. Final View

